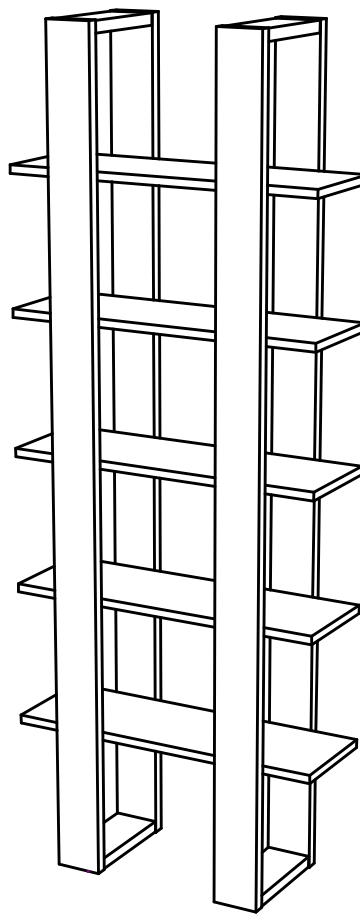
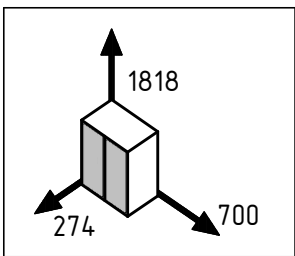
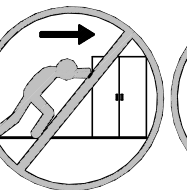
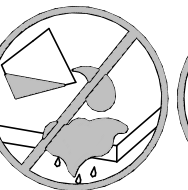
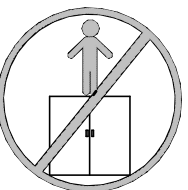
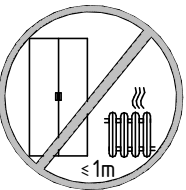
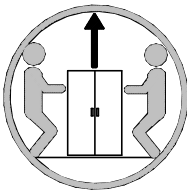
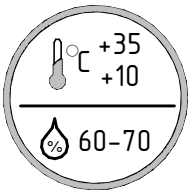
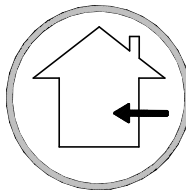


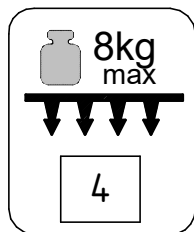
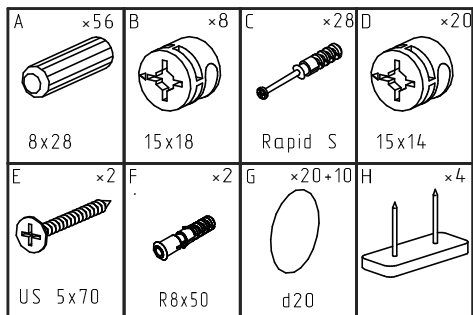
"TOSKANO" Art. 31.722



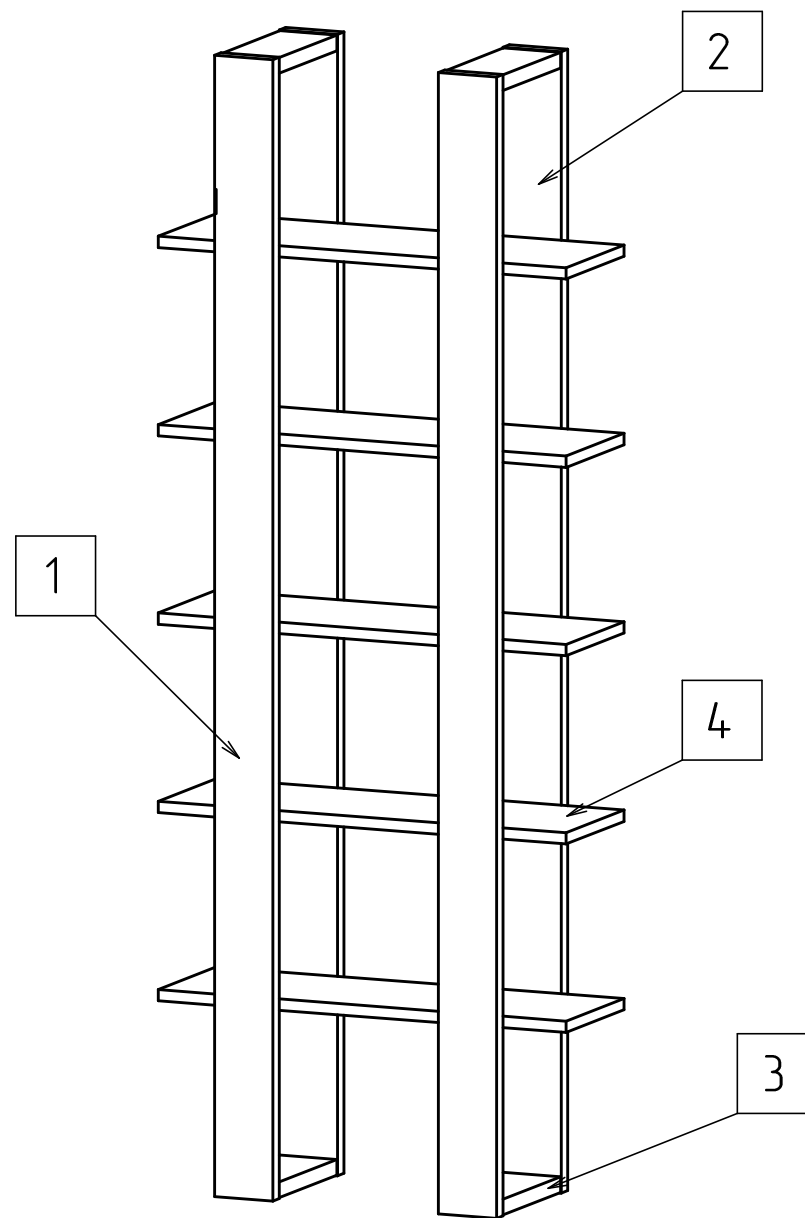
A vertical column of four icons providing additional instructions: 1. A trash can with a large 'X' over it and a cabinet with a checkmark, indicating disposal instructions. 2. A clock showing '60 min.' and a person icon, indicating a 60-minute drying time. 3. A collection of tools including a pencil, hammer, drill, screws, and a level. 4. A diagram showing a shelf being placed on a mat with a checkmark and another shelf being placed on a grid with an 'X', indicating placement instructions.



"TOSKANO" Art. 31.722



Packaging number	Contains	L*W*H	Quantity
1	4	700x224x18	5
2	1	1818x100x25	2
	2	1818x100x25	2
	3	224x98x25	4



"TOSKANO" Art. 31.722

1

x4

3

3-1
A-4
B-2

2

x5

4

4-1
A-8
D-4

3

x2

2

C

2-1
C-7
H-1

4

2

4

3

2-2
3-4
4-5
G-14

5

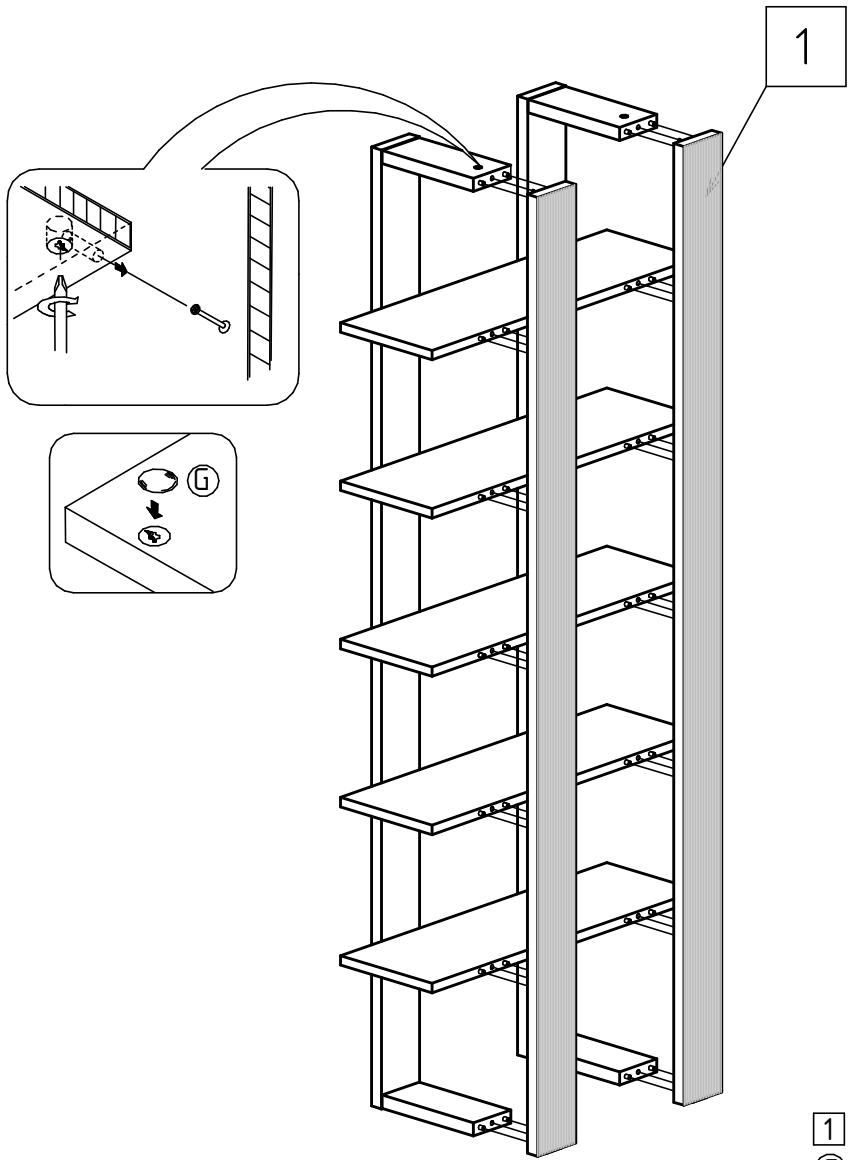
x2

1

C

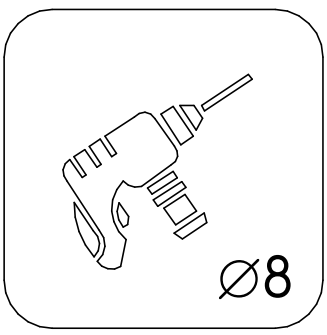
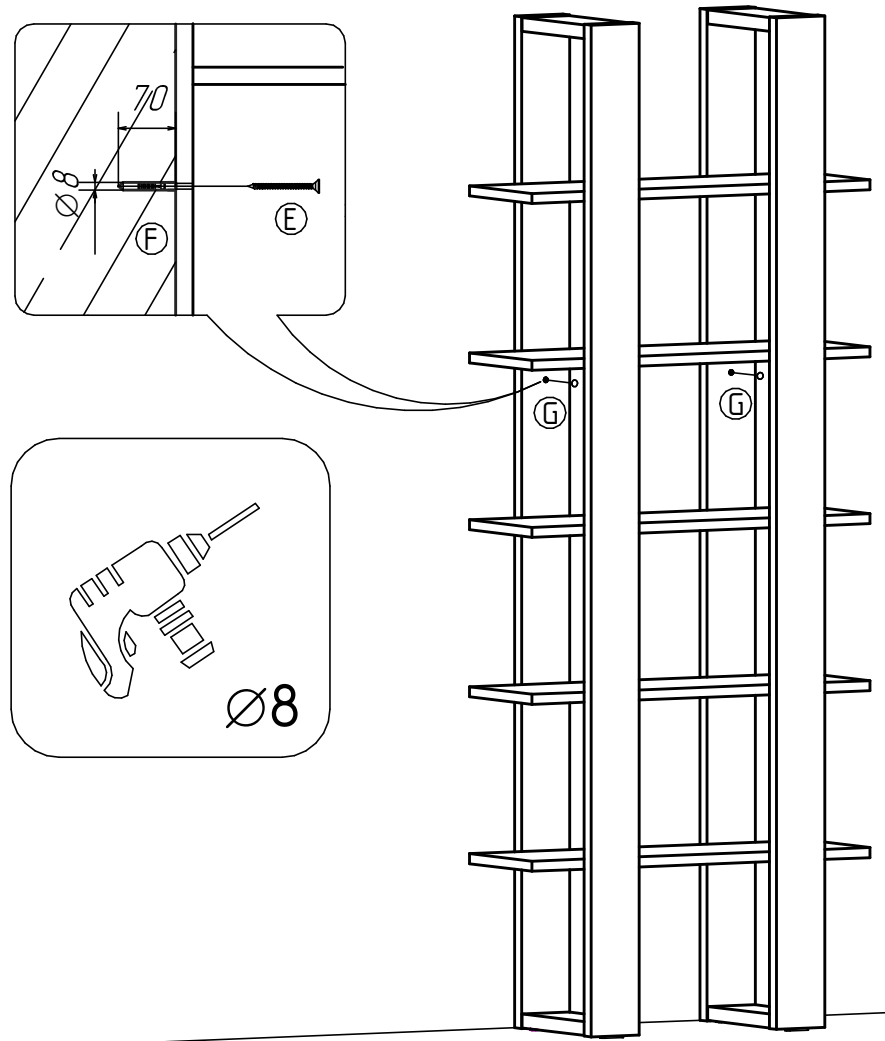
1-1
C-7
H-1

6



1 - 2
G - 14

7



E - 2
F - 2
G - 2